

ASSEMBLY INSTRUCTIONS






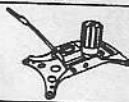
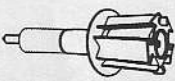





Item No: 8891S

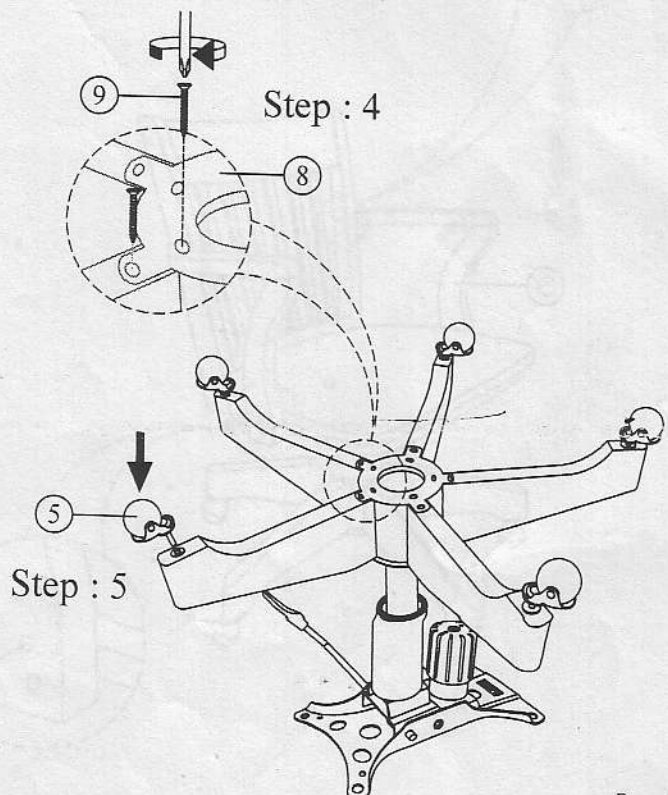
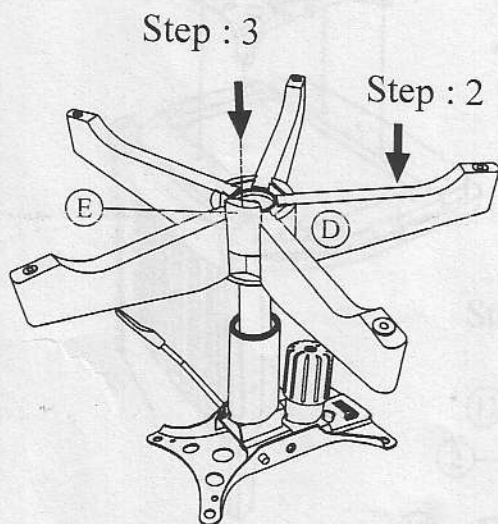
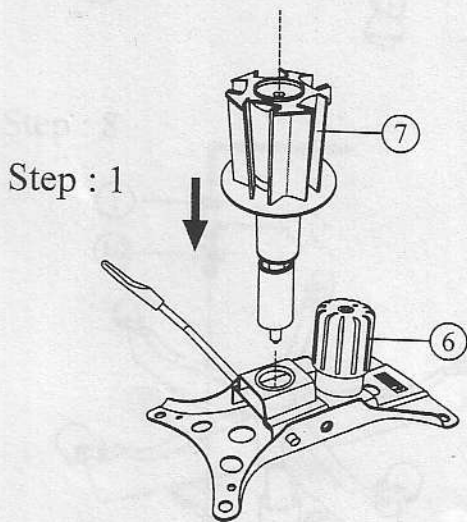


No	Parts List	Qty
A	Back Rest	1
B	Seat	1
C	Arm (R & L)	2
D	Leg	5
E	Leg Support	5

IMPORTANT NOTE :

- Place all wooden parts on clean and smooth surface such as a rug or carpet to avoid the parts from being scratched.
- Check to be sure that you have all parts and hardware.
- Remove all warping materials, including staples & packing straps before you start to assemble.
- Keep all hardware parts out of reach of children.

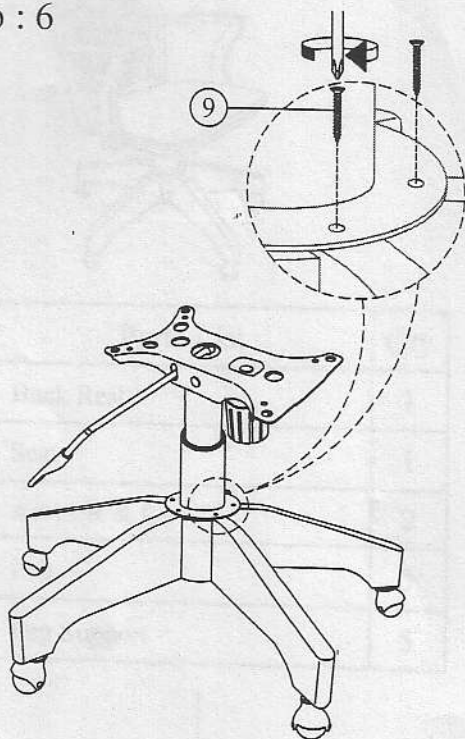
No	Hardware List	Qty
1	JCBC Screw M6 x 30mm 	4
2	JCBC Screw M6 x 35mm 	6
3	JCBC Screw M6 x 45mm 	4
4	Allen Key (Long) 	1
5	Caster 	5
6	Mechanism Hardware -1 	1
7	Mechanism Hardware -2 	1
8	Metal Plate 	1
9	Screw M4 x 25mm 	15
10	Flat Washer (M6.5 x 16 x 1.5) 	4
11	Spring Washer (M6) 	14
12	Wood Button (14.5 x 9mm) 	10



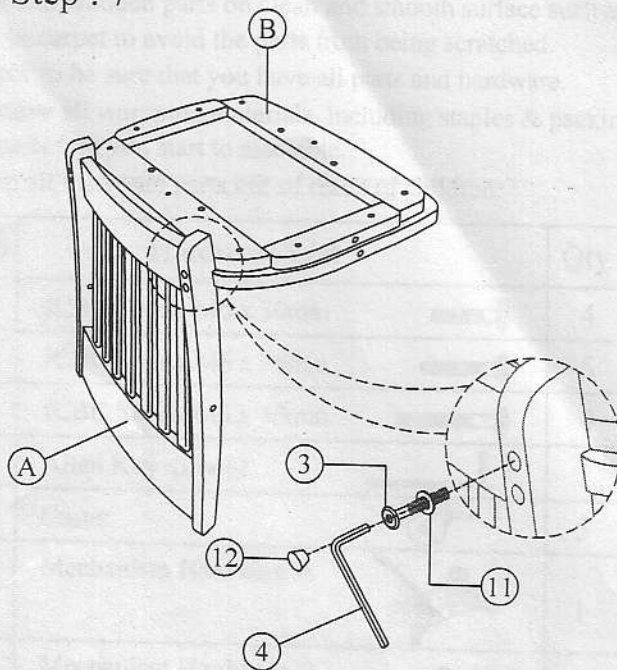
ASSEMBLY INSTRUCTIONS

Item No: 8891S

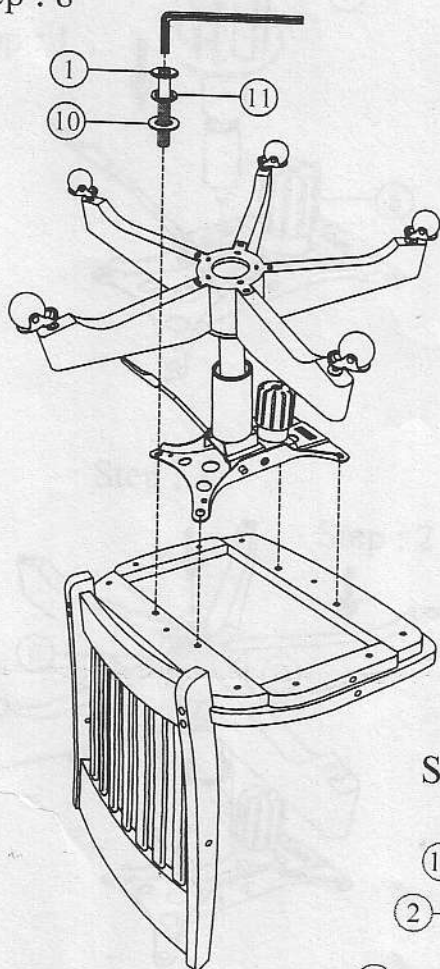
Step : 6



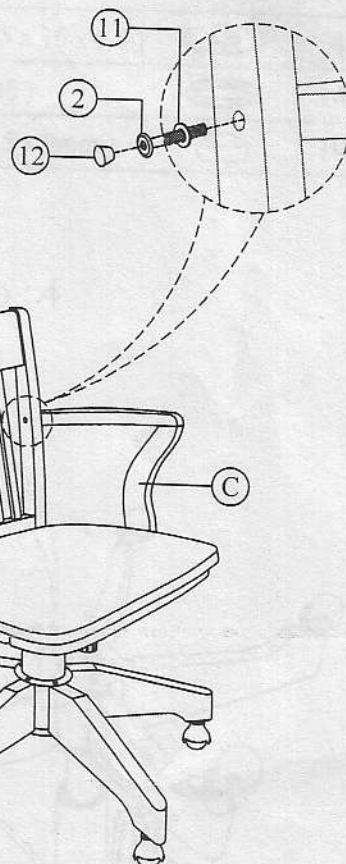
Step : 7



Step : 8



Step : 10



Step : 9

