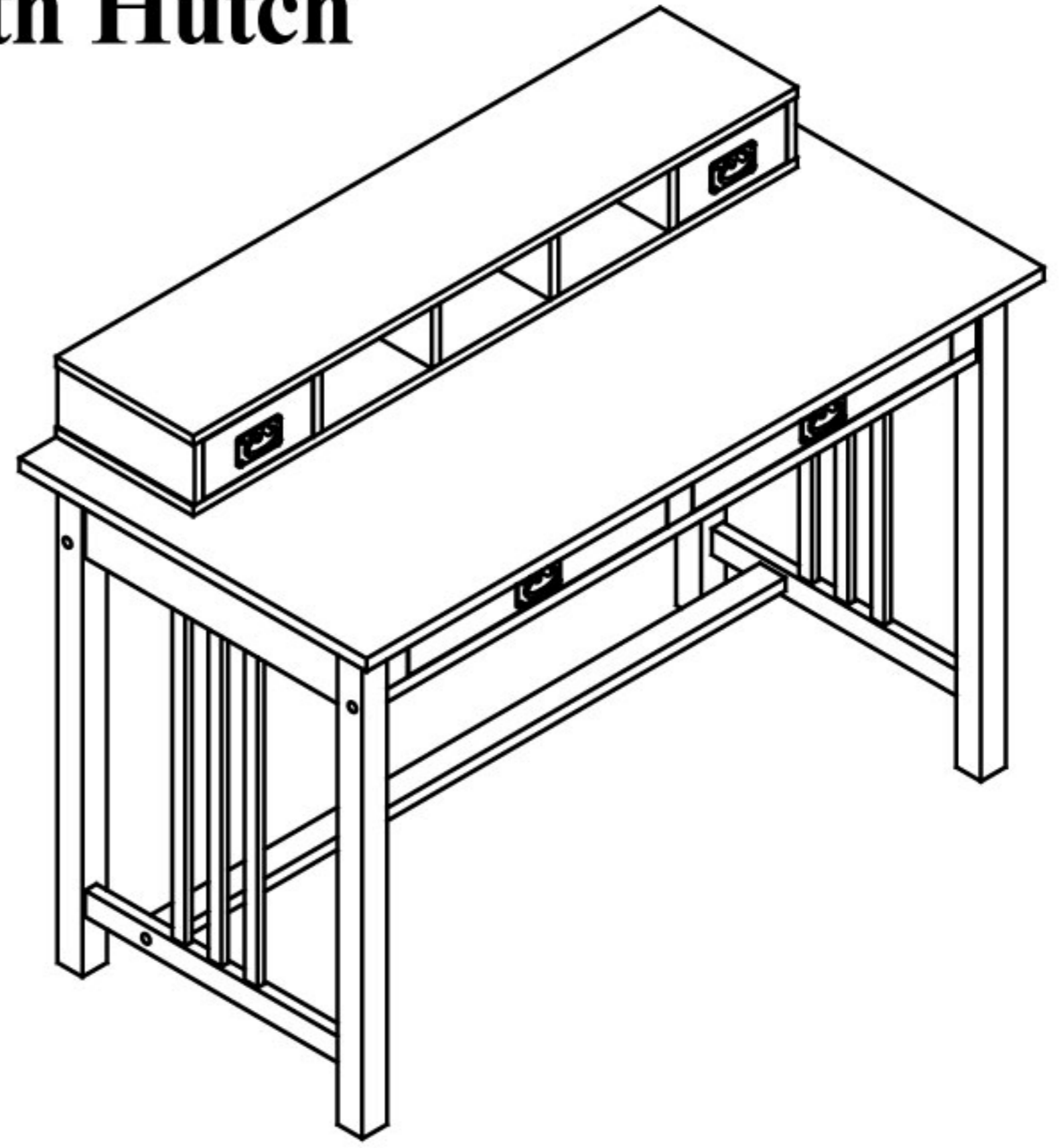


# Assembly Instruction Sheet

## Item # 566-8X

### Mission Desk with Hutch



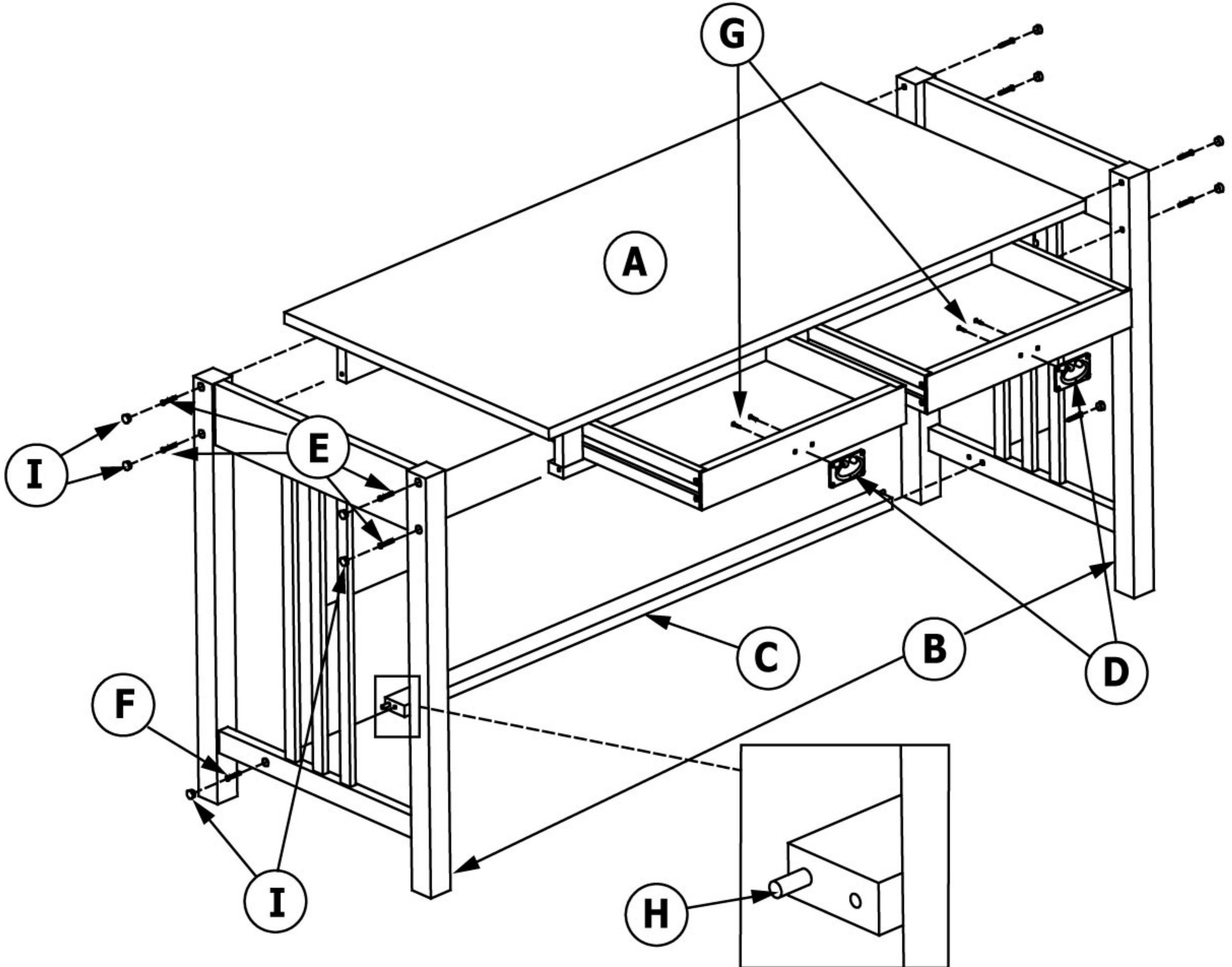
#### **PART LIST I**

A	DESK TOP	1	PCS.
B	DESK LEG FRAME	2	PCS.
C	LEG SUPPORT	1	PC.
D	METAL HANDLE	2	PCS.
E	BIG SCREW (LONG)	8	PCS.
F	BIG SCREW (SHORT)	2	PCS.
G	SCREW FOR METAL HANDLE	4	PCS.
H	SMALL WOOD DOWEL	2	PCS.
I	WOOD PLUG	10	PCS.
T	ALLEN KEY	1	PCS.

#### **ION**

#### **STEP 1 MISSION DESK**

- 1.1 Attach 1 part of Desk leg frame "B" to the side of the Desk top "A" using LONG Big screw "E"
- 1.2 Attach Leg support "C" to the inside Desk leg frame "B" using SHORT Big screw "F" and Small wood dowel "H"
- 1.3 Repeat step 1.1 on other side of the desk leg frame "B"
- 1.4 Attach Wood Plug "I" into the screw holes
- 1.5 Attach Metal handle "D" in front of drawers using Screws for metal handle "G"



## PART LIST II

J	PLASTIC DOWEL	24	PCS.
K	TOP PANEL	1	PC.
L	BOTTOM PANEL	1	PC.
M	BACK PANEL	1	PC.
N	LEFT SIDE PANEL	1	PC.
O	RIGTH SIDE PANEL	1	PC.
P	MIDDLE PANEL	4	PCS.
Q	SCREW P+	6	PCS.

## STEP 2 HUTCH & SMALL DRAWER

- 2.1 Insert the Left, Right Side Panel "N, O" and Middle Panel "P" by using Plastic Dowel "J" at into pre-drilling holes at Bottom Panel "L" as shown Diag.1.
- 2.2 Insert Back Panel "M" into grooves, attach Top Panel "K" by using Plastic Dowel "J" at into pre-drilling holes as shown diag 2.
- 2.3 Secure by tightening screw at Back Panel by using phillip screwdriver as shown diag 3.

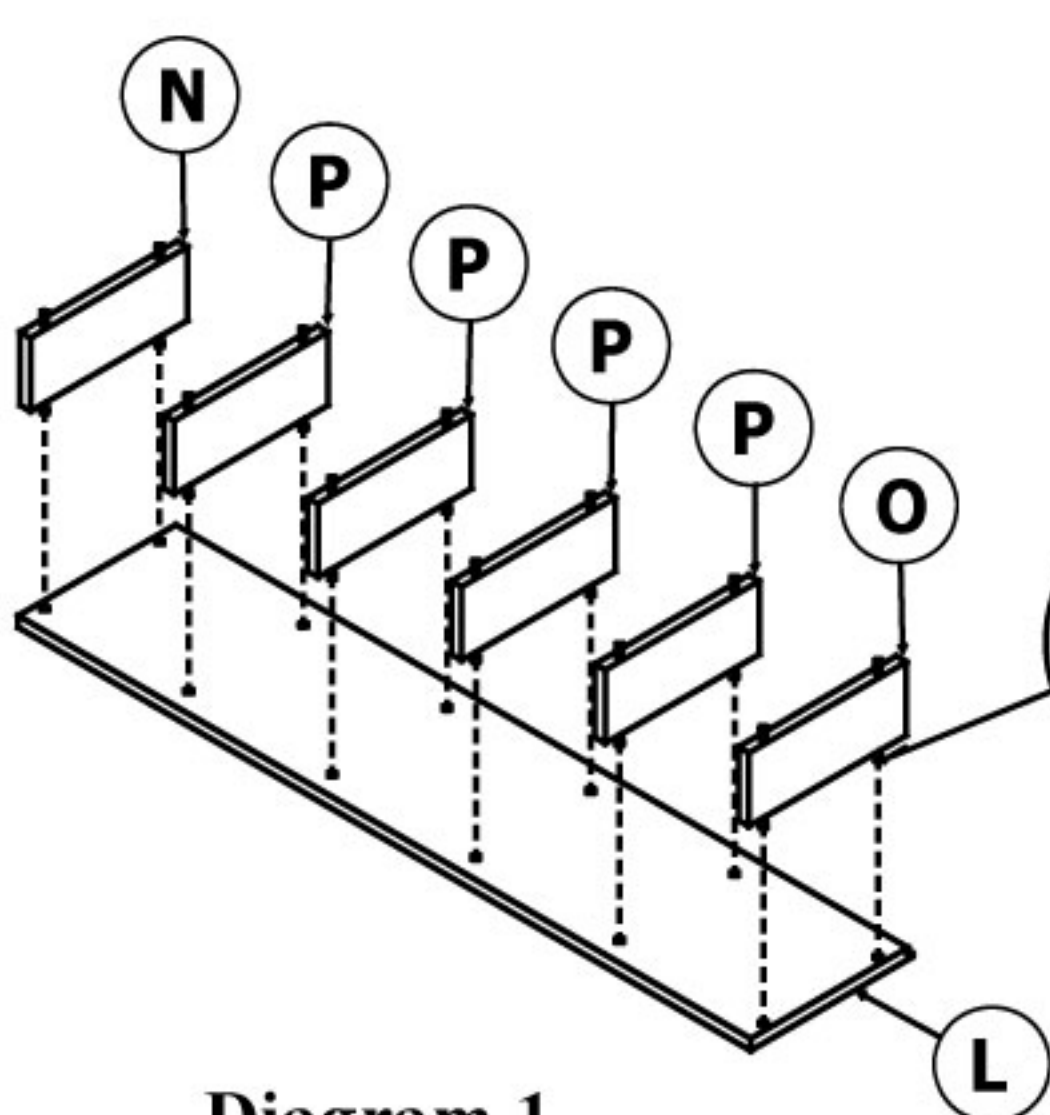


Diagram 1.

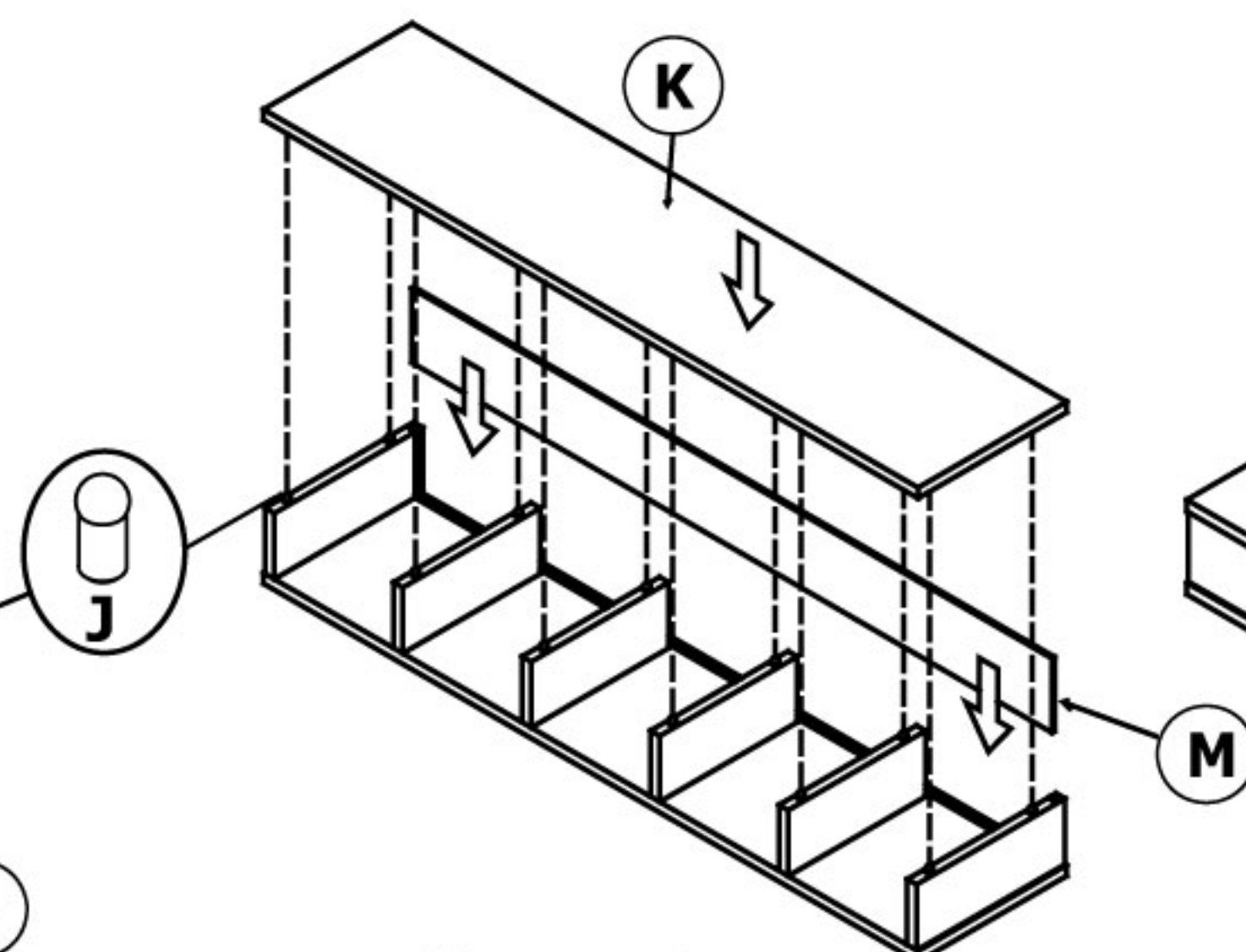


Diagram 2.

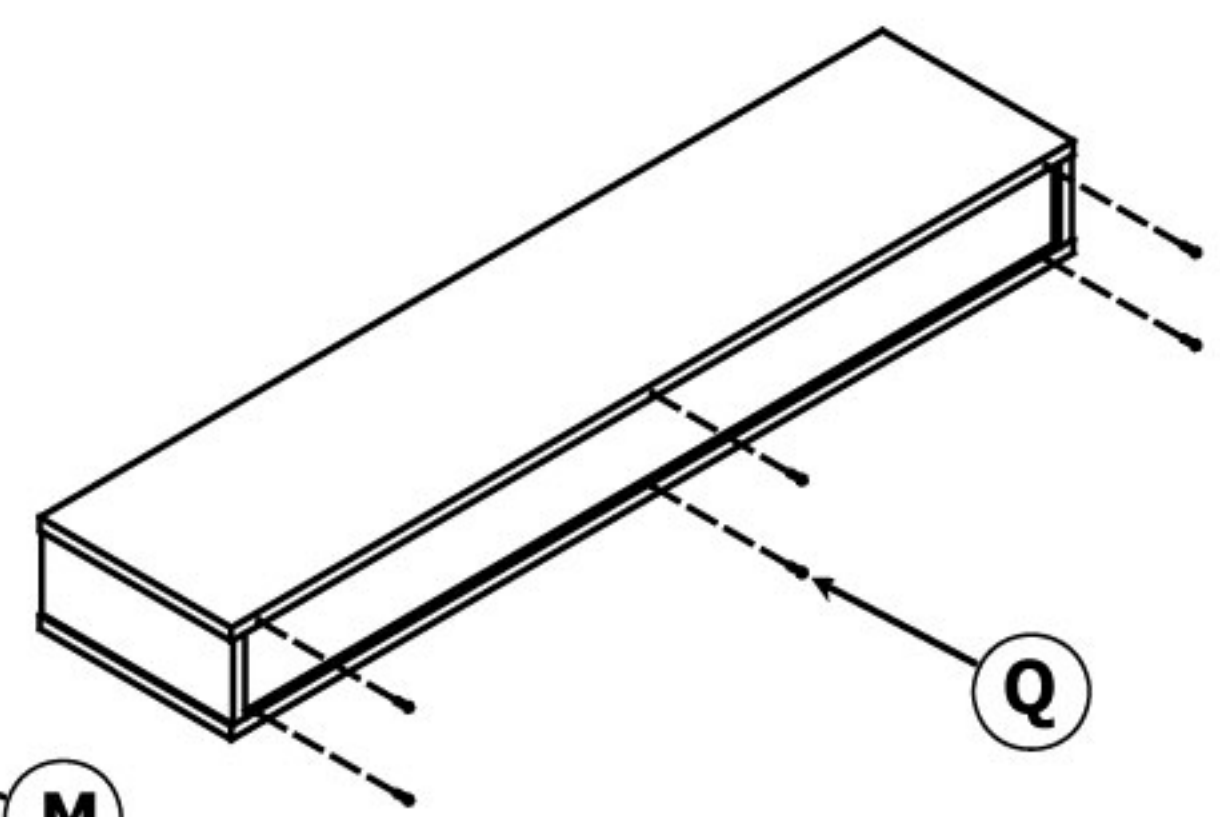


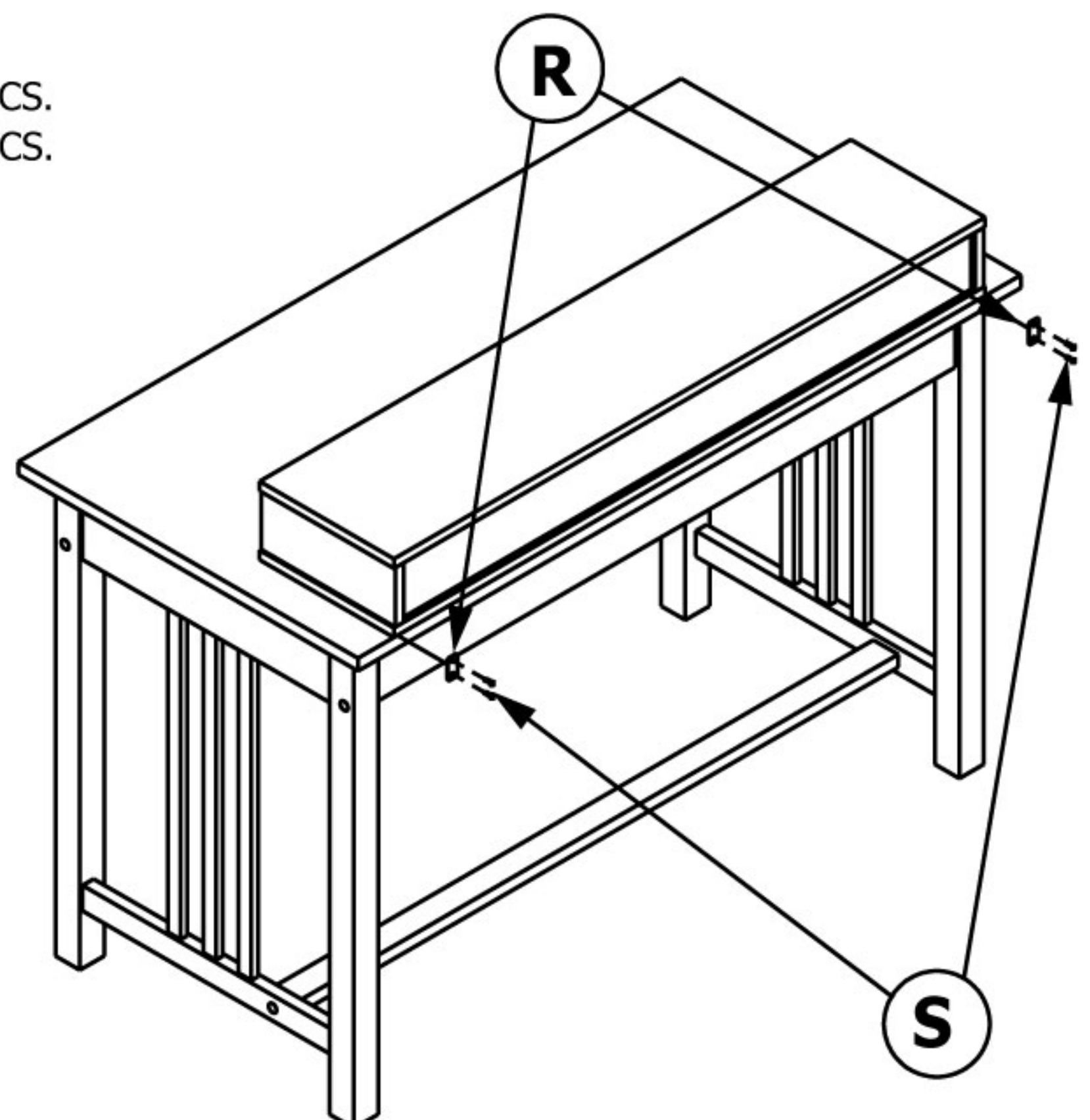
Diagram 3.

## STEP 3 COMPLETE MISSION DESK w HUTCH

- 3.1 Attach Hutch on Top of Desk
- 3.2 Attach Metal plate "R" on the back of Hutch and Desk using small screw for metal plate "S"

## PART LIST III

R	METAL PLATE	2	PCS.
S	SMALL SCREW FOR METAL PLATE	4	PCS.



### MISSING HARDWARE!!!!

Please do not return this item to the store.

Instead, call our TOLL FREE NUMBER

1-888-8YUSHAN

Usually there is no charge for missing hardware